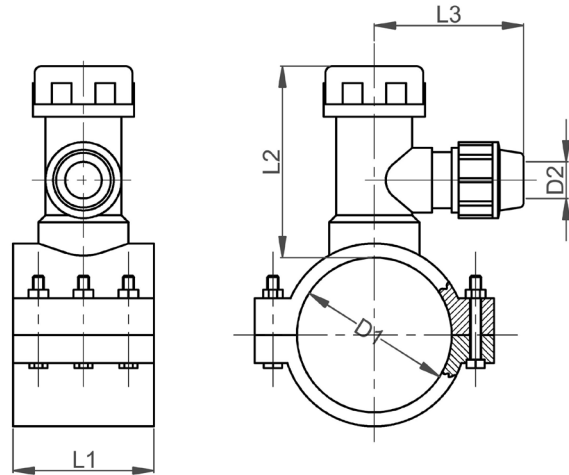


CODE 1025



Collare di derivazione in carico - Collier de prise en charge dérivation - Collar de derivación de toma de carga



| CODE | DIM [mm] | n | n1 | L1 [mm] | L2 [mm] | L3 [mm] | D1 [mm] | D2 [mm] | PN [bar] |
|---------------|-------------|---|--------|------------|------------|------------|------------|------------|-------------|
| 1025110020001 | 110x20 | 6 | M8x60 | 100 | 130 | 110 | 110 | 20 | 16 |
| 1025110025001 | 110x25 | 6 | M8x60 | 100 | 130 | 115 | 110 | 25 | 16 |
| 1025110032001 | 110x32 | 6 | M8x60 | 100 | 130 | 125 | 110 | 32 | 16 |
| 1025160020001 | 160x20 | 6 | M8x100 | 174 | 130 | 110 | 160 | 20 | 16 |
| 1025160025001 | 160x25 | 6 | M8x100 | 174 | 130 | 115 | 160 | 25 | 16 |
| 1025160032001 | 160x32 | 6 | M8x100 | 174 | 130 | 125 | 160 | 32 | 16 |